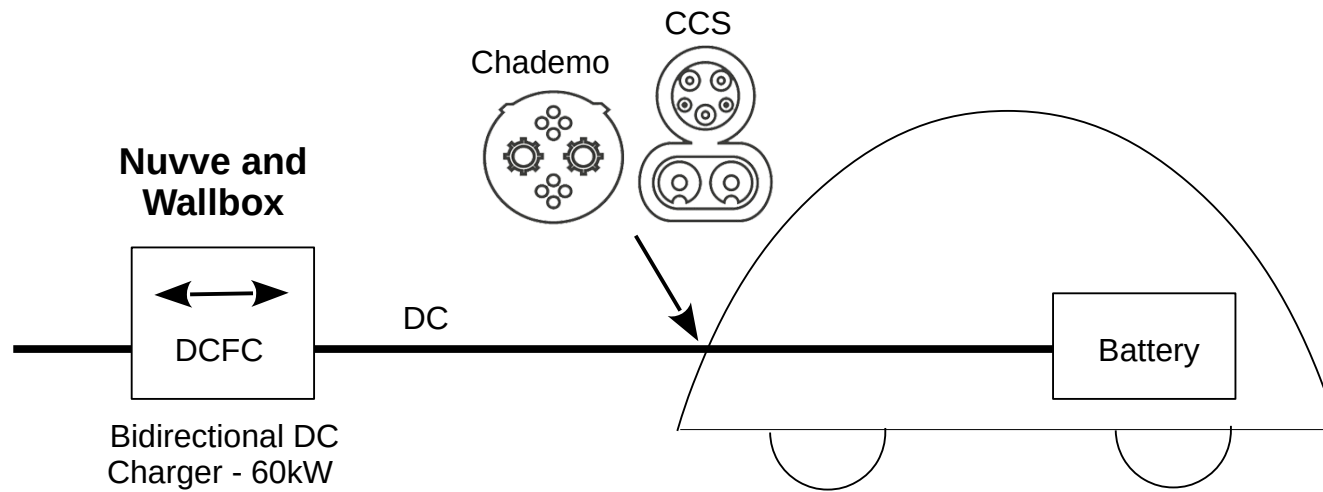
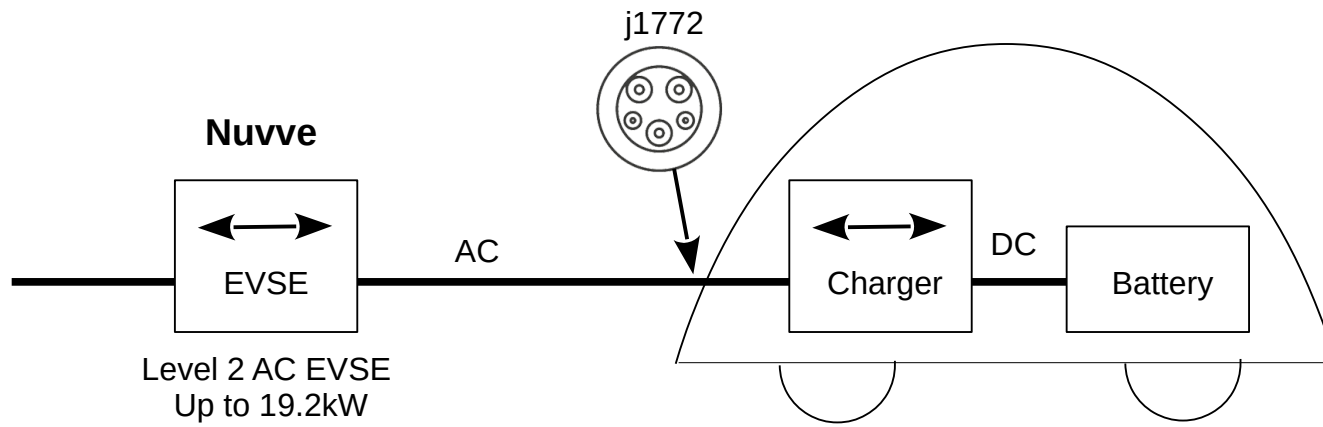


# Report on Vehicle to Grid

For DEVA - 10 June 2020 - Jim W.



## **Europe URL**

<https://www.ovoenergy.com/electric-cars/vehicle-to-grid-charger>

Registration closed on 13/03/20.

## Nuvve Single-Phase AC Charger

The Nuvve Powerport is a Level 2 AC charging station that delivers up to 19.2kW of power in a compact size package (wall mount or with pedestal). Perfect for school buses and other heavy-duty vehicles, it's one of the few 80 amp products on the market certified to UL safety standards and is the first-ever NRTL-certified station that has been used in AC-V2G configurations. The Nuvve PowerPort is ENERGY STAR certified.

This product can be used for V2G charging with vehicles that have a bidirectional, on-board charger.

## AC J1772 Single Phase Connector

## Nuvve Three-Phase AC Charger

The Nuvve three-phase charging station can provide up to 99kW of power when connected to a 480V supply. It uses the new J3068 charging standard that allows for high power AC charging.

## AC J3068 Three Phase Connector



# Nuvve 60kW or 120kW Unidirectional DC Charger

To meet all charging needs, Nuvve offers unidirectional DC charging for applications where bidirectional vehicles are not available.

The high power DC charging stations come with 60kW or 120kW options. The 120kW power cabinet can have two dispensers to charge two vehicles simultaneously.

## DC CCS1 Connector

NUVVE

NUVVE



# Nuvve 60kW V2G Bidirectional DC Charger

The Nuvve DC Heavy-Duty Charging Station (EVSE-HD60) is designed specifically for vehicle-to-grid (V2G) applications and is an ideal solution for the rapid, smart charging of heavy-duty fleet vehicles such as electric school buses. The EVSE-HD60 is fully controllable through Nuvve's fleet management app and our V2G platform (GIVe™) enables unidirectional charging of any vehicle as well as full, bidirectional V2G and vehicle-to-building (V2B) services when connected to a V2G-compatible vehicle.

## DC CCS1 Connector

We Make Electric  
Vehicles Greener

NUVVE.COM



We Make Electric  
Vehicles Greener  
NUVVE.COM

V2G



# Technical aspects

## General Specifications ^

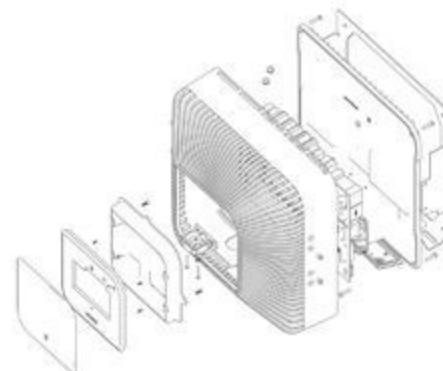
Charger:	DC
Connector:	CHAdeMO
Charging mode:	Mode 4
Dimensions (without cable):	350x350x150 mm (without cable)
Weight:	22 kg (without cable)
Cable length:	5m

## Electrical Specifications v

## User Interface v

## Connectivity v

Download all Quasar documentation at [Wallbox Academy](#).



# Technical aspects

## General Specifications



## Electrical Specifications

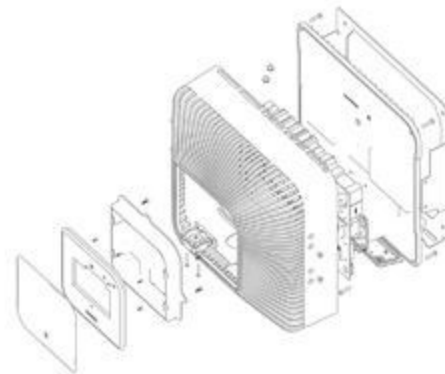


Maximum Power:	7,4 kW
Maximum AC current:	from 6 A to 32 A


## User Interface





## Connectivity




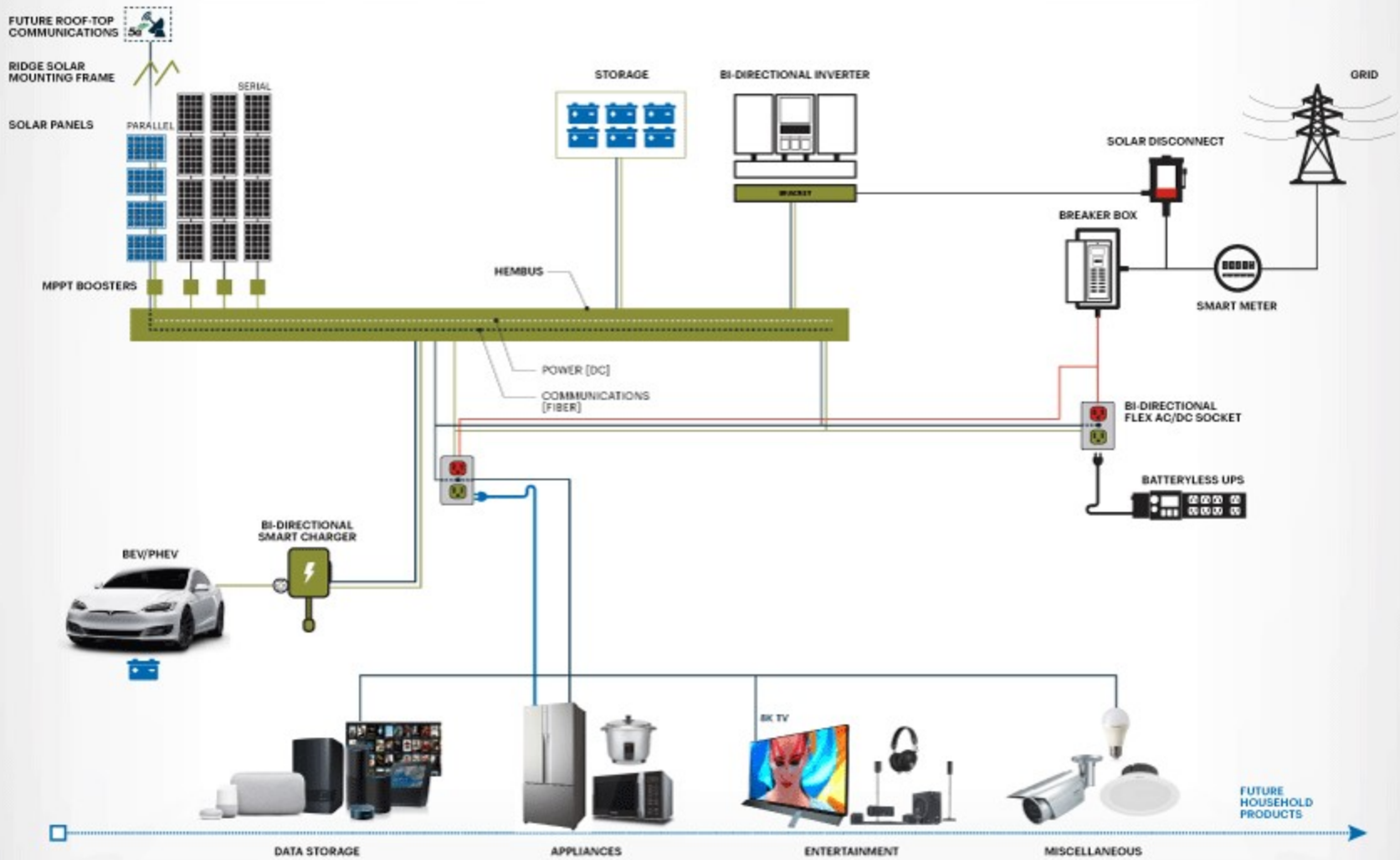


 DS\_EN\_CopperC.pdf

 DS\_Quasar\_EN.pdf

 Quasar\_Installation-Guide\_multiling

 UG\_Quasar\_EN.pdf



**COLOR LEGEND**

### **Europe URL**

<https://www.ovoenergy.com/electric-cars/vehicle-to-grid-charger>

Registration closed on 13/03/20.

### **US URLs**

<https://nuvve.com/technology/>

[https://wallbox.com/en\\_uk/quasar-dc-charger](https://wallbox.com/en_uk/quasar-dc-charger)